

AIR OPERATED DIAPHRAGM PUMPS

DF50 NON METALLIC PUMPS WITH DUAL INLET

552 025

Dual inlet pumps for 1:1 proportion mixing of fluids with similar viscosity. Both fluids and the resulting solution must be compatible with the pump wetted materials.

MODELS AND APPLICATIONS

APPLICATION	WETTED MATERIAL	CHECK BALLS	DIAPHRAGMS	PART No.
1:1 SOLUTIONS OF WATER, ANTIFREEZE AND WATER, WINDSHIELD WASH	Polypropylene	PTFE	Hytrell®	552 025

TECHNICAL DATA

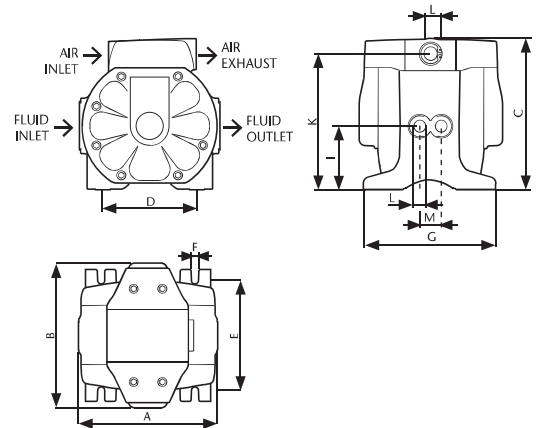
Pressure ratio	1:1
Maximum free delivery (1)	50 l/min (14 US gpm)
Delivery per stroke approx. (1)	0,1 litres (0.026 US gallons)
Air pressure operating range	3 to 7 bar (45 to 100 psi)
Solids in suspension max size	3 mm (1/8")
Max dry suction head (1)	6 m (20')
Max wet suction head (1)	8 m (26.25')
Weight	3,5 Kg (7.72 lb)
Fluid inlet	2 x 3/8" BSP/NPT (F)
Fluid outlet	1/2" BSP/NPT (F) and flange
Air inlet	3/8" NPSM (F)
Wetted part materials	See models and applications

(1) Data measured with water, air inlet pressure 7 bar, 20 °C.



DIMENSIONS (mm)

A	B	C	D	E	F
156	160	167	105	122	8
G	I	J	K	L	M
146	70	1/2" (F)	150	3/8" (F)	24



CAPACITY

Tested at room temperature, with water and flooded pump with 80 mm (3.5 inches) positive suction.

