

**Product description**  
**Pump ZP4000**

**APPLICATION**

The pump ZP4000 in various design versions are used for direct lubrication in multi-line systems (one delivery element per lubricating point) or as delivery pump for lubricant in progressive systems.

**PRODUCT CHARACTERISTICS**

- Multi-line pump
- up to 8 lubrication points
- Maintenance-free
- Pressure range up to 160 bar
- Lubricant: oil, grease, liquid grease
- Surface signal grey RAL 7004



**FUNCTION**

Drive of central lubrication pump ZP4000 is effected by means of electromotor with step-down gearing flanged onto the housing and linked with the worm shaft via Woodruff key in form-fit connection. Each feed-line connection is equipped with a delivery piston and a control piston. A rotary motion is imparted on the pump shaft with cam disk via drive the delivery piston getting a stroke motion. The control gear is to actuate the control piston. Due to the stroke motion of delivery pistons, lubricant intake is effected through the control ducts of control pistons and delivered into the pressure bore. The scraper plate is delivering the lubricant to the suction bores. The stirrer blade pressing the lubricant through the sieve plate into the suction compartment is arranged in the lubricant reservoir.

The central lubrication pump ZP4000 can be supplied with 1 pumping unit with a maximum of 8 feed-line connections. Upon dispatch of pumps, the rate of delivery has been set to maximum value. The rate of delivery can be set infinitely from 0 to 0.2 cm<sup>3</sup>. Feed-line connections not required shall be put to "zero rate of delivery" and should not be closed. There is a possibility of choose between sheet-metal and plastic lubricant reservoirs. The lubricant reservoir made of plastics can be equipped upon request with electric filling-level control indicating the minimum filling level.



<b>A. PUMP TYPE ZP4000</b>	<b>Code</b>
	ZP4

<b>B. NUMBER OF OUTLETS</b>	<b>Code</b>
2 outlets	02
8 outlets	08

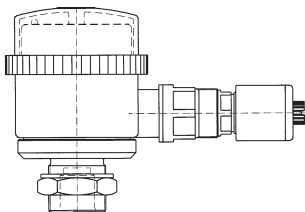
<b>C. REVISION</b>	<b>Code</b>
Status A	A

<b>D. KINDS OF DRIVE</b>	<b>Code</b>
Step-down gear, ratio 150:1, three-phase A.C. motor 230/400V; 50Hz, M	01
Step-down gear, ratio 300:1, three-phase A.C. motor 230/400V; 50Hz, M	02
Step-down gear, ratio 420:1, three-phase A.C. motor 230/400V; 50Hz, M	03
Step-down gear, ratio 300:1, three-phase A.C. motor 230/400V, 50Hz, M (fan cowling with shelter)	04

<b>E. POSITION OF DRIVE</b>	<b>Code</b>
on the right	R

<b>F. RESERVOIR</b>	<b>Code</b>
5 liters metal	A
10 liters metal	B

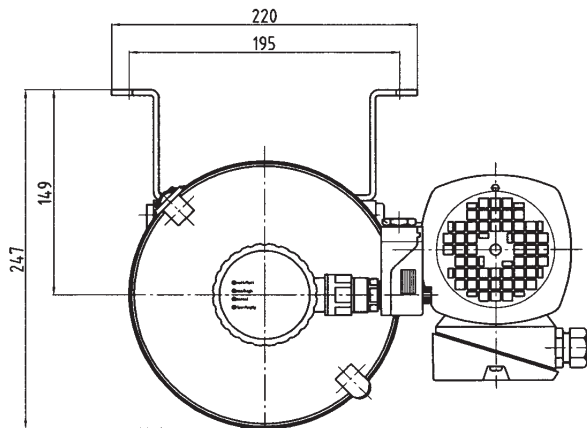
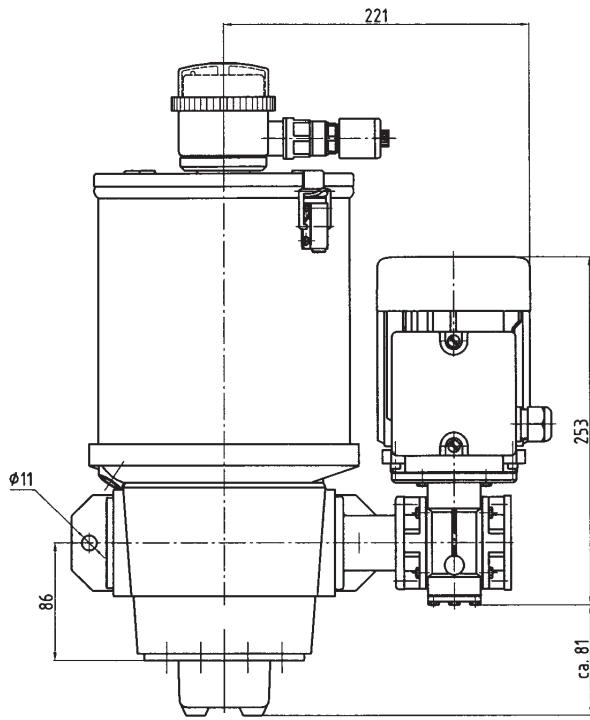
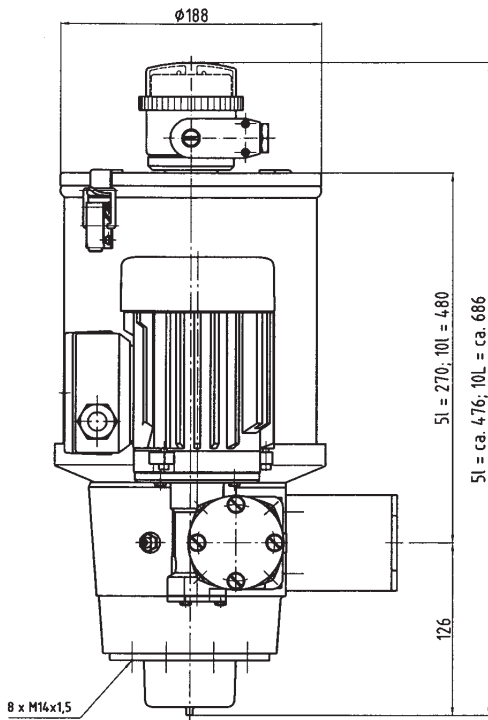
<b>G. ACCESSORIES</b>	<b>Code</b>
without	00
Ultrasonic level switch	01



Ultrasonic level switch see data sheet: BA\_2005\_1\_GB\_76951\_6011

**SPECIFICATION**

Rated pressure : \_\_\_\_\_ 160 bar  
 Operating pressure : \_\_\_\_\_ in dependence on operating mode and operating conditions  
 (to be agreed upon with the manufacturer)  
 Rate of delivery per outlet : \_\_\_\_\_ 0 ... 0.2 cm<sup>3</sup>/stroke  
 Pipe connection for feed line : \_\_\_\_\_ M 14 x 1.5  
 Step-down ratio : \_\_\_\_\_ 150 : 1, 300 : 1, 420 : 1  
 Delivery rate : \_\_\_\_\_ 1.69 cm<sup>3</sup>/min, 0.84 cm<sup>3</sup>/min, 0.6 cm<sup>3</sup>/min  
 Rated speed of pump shaft (rpm) : \_\_\_\_\_ max. 12 min<sup>-1</sup>  
 Rated speed : \_\_\_\_\_ 1360 min<sup>-1</sup>  
 Motor power \_\_\_\_\_ 0.18 kW  
 NLGI class : \_\_\_\_\_ 000 ... 3  
 Temperature range : \_\_\_\_\_ - 30 °C up to + 60 °C  
 Number of outlets : \_\_\_\_\_ max. 4  
 Reservoir capacity : \_\_\_\_\_ metal 5 and/or 10 liters  
 Weight : \_\_\_\_\_ 9 and/or 16 kg



## EXAMPLE OF ORDER

Code											
Z	P	4	0	2	A	0	1	R	B	0	1

<b>Pump type ZP4000</b>	Code: ZP4	
<b>Number of outlets</b> 2 outlets	Code: 02	
<b>Revision</b> Status A	Code: A	
<b>Kinds of drive</b> Step-down gear, ratio 150:1, three-phase A.C. motor 230/400V, 50Hz, M	Code: 01	
<b>Position of drive</b> on the right	Code: R	
<b>Reservoir size</b> 10 liters metal	Code: B	
<b>Accessories</b> Ultrasonic level switch	Code: 01	

### DELIMON

#### Zentrale

Arminstraße 15  
D-40227 Düsseldorf  
Postfach 10 20 52  
D-40011 Düsseldorf  
Telefon: +49 211 7774 0  
Telefax: +49 211 7774 210  
kontakt@bijurdelimon.com  
www.bijurdelimon.com

### DELIMON

#### Niederlassung

Am Bockwald 4  
D-08344 Grünhain-Beierfeld

### DELIMON

#### Österreich

Am Spitz 2-3 / Schloßhofer Str. 4-6  
Stiege 4, Top 20  
A-1210 Wien  
Telefon: +43 1 585 66 17  
Telefax: +43 1 585 66 17 50  
kontakt@bijurdelimon.com  
www.bijurdelimon.com

### LUBRIMONSA

#### Spain

Avda. Txori-Erri 38  
48150 Sondica - (Vizcaya)  
Teléfono: +34 94 453 20 00  
Fax: +34 94 453 25 00  
spain@bijurdelimon.com  
www.bijurdelimon.com

### DELIMON-Denco Lubrication

#### DELIMON-Cooling

#### United Kingdom

Ramsden Court, Ramsden Road  
Rotherwas Industrial Estate  
Hereford, HR2 6LR  
Phone: +44 (0) 1432 365 000  
Fax: +44 (0) 1432 365 001  
info@delimon.co.uk  
www.bijurdelimon.com

### BIJUR Products, Inc.

#### France

BP 50  
ZI de Courtabœuf  
5, Avenue de l'Atlantique  
91942 Les Ulis Cedex  
Tél.: +33 1 692 985 85  
Fax: +33 1 690 776 27  
contact@bijurdelimon.com  
www.bijurdelimon.com

*Für reibungslose Bewegung  
For smooth motion*

