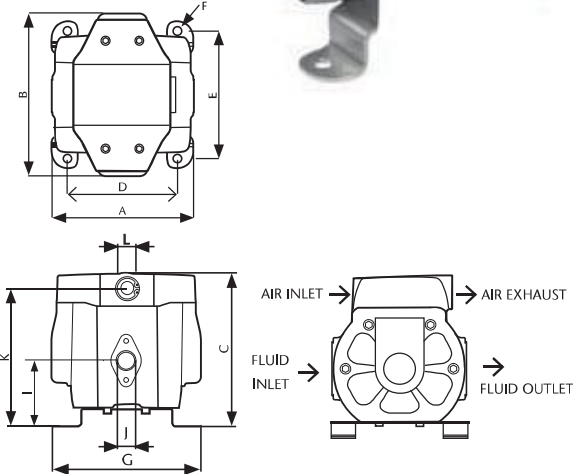


For fluid dosing, spray, transfer, evacuation and distribution systems.
38 l/min (10.4 US gpm), 1/2" fluid inlet and outlet ports.

Very robust construction, the pump is fully enclosed in a shield and has non-metallic wetted parts.

MODELS AND APPLICATIONS

APPLICATION	WETTED MATERIAL	CHECK BALLS	DIAPHRAGMS	PART No.
ANTIFREEZE AND COOLANT SOLUTIONS, WINDSHIELD WASH SOLUTIONS AdBlue® (DEF)	Polypropylene	PTFE	Hytrel®	553 010



TECHNICAL DATA

Pressure ratio	1:1
Maximum free delivery (1)	38 l/min (10.4 US gpm)
Delivery per stroke aprox. (1)	0,07 litres (0.019 US gallons)
Air pressure operating range	3 to 7 bar (45 to 100 psi)
Solids in suspension max size	3 mm (1/8")
Max dry suction head (1)	2,5 m (8.20')
Max wet suction head (1)	8 m (26.25')
Weight	2,2 Kg (4.85 lb)
Fluid inlet	1/2" BSP/NPT (F) and flange
Fluid outlet	1/2" BSP/NPT (F) and flange
Air inlet	3/8" NPSM (F)
Wetted part materials	See models and applications

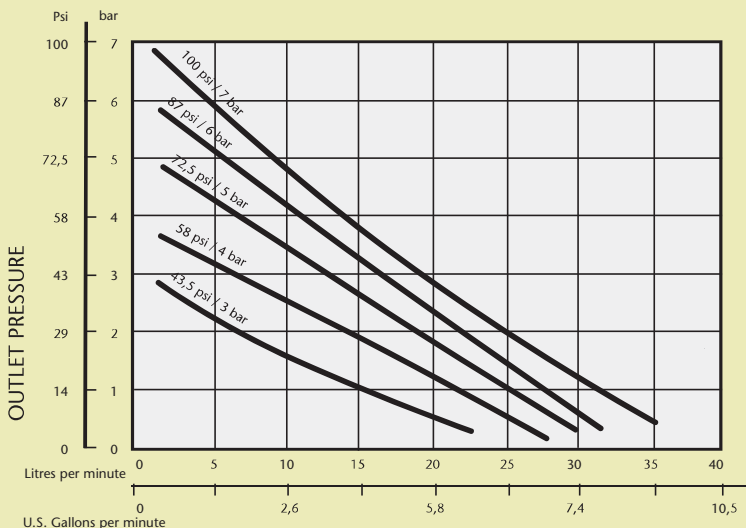
(1) Data measured with water, air inlet pressure 7 bar, 20 °C.

DIMENSIONS (mm)

A	B	C	D	E	F
130	160	162	105	122	8
G	I	J	K	L	
140	70	1/2" (F)	145	3/8" (F)	

CAPACITY

Tested at room temperature, with water and flooded pump with 80 mm (3.5 inches) positive suction.



AIR CONSUMPTION

100 psi / 7 bar SCFM-NL/min	87 psi / 6 bar SCFM-NL/min	72.5 psi / 5 bar SCFM-NL/min	58 psi / 4 bar SCFM-NL/min	43.5 psi / 3 bar SCFM-NL/min
0	0	0	0	0
2.01	59.3	0	0	0
2.21	65.3	0	0	0
2.51	73.9	0.67	19.8	72.5
2.89	85.3	1.72	50.8	0
3.37	99.4	2.67	78.9	0.87
3.94	116.2	3.53	104.1	1.94
4.61	135.8	4.28	126.3	2.89
5.36	158.2	4.94	145.6	3.74
6.21	183.2	5.49	162	4.49
7.16	211.1	5.95	175.5	5.12
8.19	241.6	6.31	186.1	5.65
9.32	274.9	6.57	193.7	6.07
10.54	310.9	6.73	198.4	6.38
11.85	349.7	6.79	200.3	6.59
			194.3	5.33
			157.3	3.9
			115	