

## Product description Pump BS-B

### APPLICATION

The pump BS-B is ideally suitable for applications where long extended main line runs and a large number of friction points are to be reliably served from one central station.

In conjunction with distributors type ZV-B downstream the pump is predominantly used in dual-line centralized systems, but also as filling-or greasing pump.

### PRODUCT CHARACTERISTICS

- Discharge pressure adjustable up to max. 400 bar
- High reliability due to forced control
- Discharge: 7, 14 and 22 liters/h, depends on driving speed
- Geared motors
- Long service life thanks to the use of wear-resistant high-grade steel
- Compact and rugged design
- Lubricant: grease, liquid grease
- Surface signal grey RAL 7004



### FUNCTION

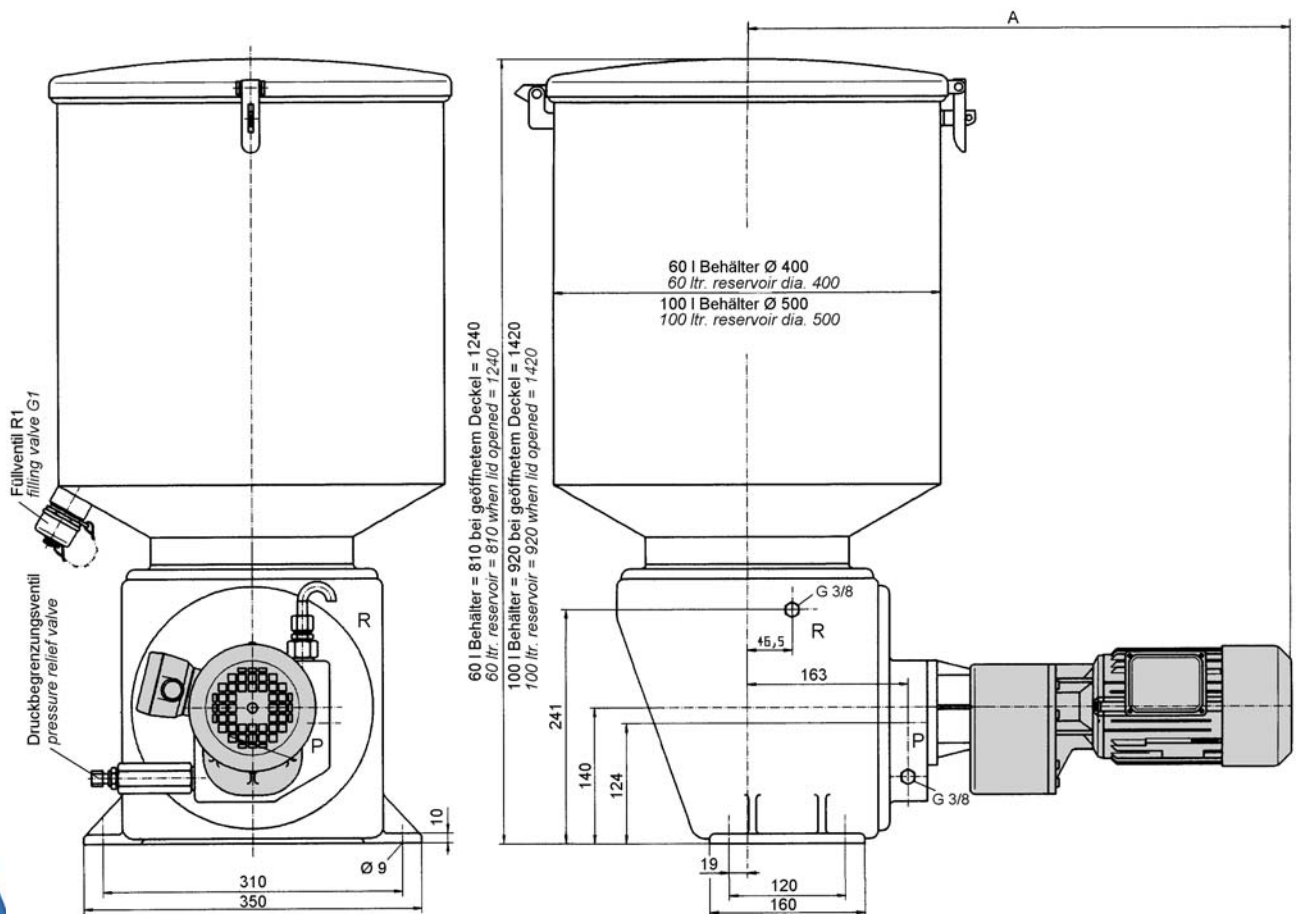
The pump can be supplied complete with a geared motor.

Basically it consists of a body with plunger assembly and reservoir. The rotation is converted inside the pump head into an oscillating movement. The BS-B double-acting pump has two pairs of plunger (feed pistons and pilot pistons) which move simultaneously into a common bore.

Whilst one pair of pistons is on the suction stroke in one bore, the other pair forces the lubricant in a second bore into the pressure channel. The pilot pistons are positively-controlled i.e. they are displaced mechanically into its end position following each cycle, thus preventing blocking, as is likely to occur with hydraulically-or spring-controlled plungers.

The required feed pressure is adjustable thanks to an integral pressure relief valve. In the event of an inadmissibly over-pressure situation occurring an additional safeguard (burst plates) is incorporated to protect the pump element from damage. The pump need not be bled.

A. PUMP TYPE	Code
	BSB
B. NUMBER OF OUTLETS	Code
1 outlets	01
C. REVISION	Code
Stage A	A
D. KINDS OF DRIVE	Code
Flange-mounted geared motor 220 - 240 / 380 - 415 / 50 Hz, 0.75 kW, 80 min <sup>-1</sup> ; Dimension A = 563 mm	01
Flange-mounted geared motor 290 - 305 / 500 - 525 / 50 Hz, 0.75 kW, 80 min <sup>-1</sup> ; Dimension A = 563 mm	02
Flange-mounted geared motor 220 - 240 / 380 - 415 / 50 Hz, 1.5 kW, 160 min <sup>-1</sup> ; Dimension A = 575 mm	03
Flange-mounted geared motor 220 - 240 / 380 - 415 / 50 Hz, 1.5 kW, 250 min <sup>-1</sup> ; Dimension A = 575 mm	04
Flange-mounted geared motor 220 - 240 / 380 - 415 / 50 Hz, 0.37 kW, 80 min <sup>-1</sup> ; Dimension A = 500 mm	05
Flange-mounted geared motor UL / 3 / PE 115 V / 60 Hz, 0.75 kW, 80 min <sup>-1</sup>	21
Flange-mounted geared motor UL / 3 / PE 115 V / 60 Hz, 1.5 kW, 160 min <sup>-1</sup>	22
Flange-mounted geared motor UL / 3 / PE 115 V / 60 Hz, 1.5 kW, 250 min <sup>-1</sup>	23



<b>E. POSITION OF DRIVE</b>	<b>Code</b>
-----------------------------	-------------

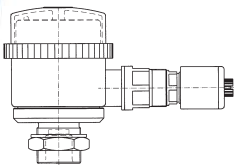
without	0
---------	---

<b>F. RESERVOIR</b>	<b>Code</b>
---------------------	-------------

60 liters	A
100 liters	B

<b>G. ACCESSORIES</b>	<b>Code</b>
-----------------------	-------------

without	00
Level switch	01



A level switch is available for the indication of the filling level in the reservoir. As sensor serves an ultrasonic sensor. As soon as the min. or max. level allowed has been obtained, a signal is released. With the help of a signal lamp at the reservoir, this signal can be used for the visual warning or for the control of an automatic filling facility.

In case of receiving the order, we will attach particular operating instructions to the level switch with the following code: BA\_2005\_1\_GB\_76951\_6011.

Pressure gauge	02
Level switch and pressure gauge	03

<b>EXAMPLE OF ORDER</b>
-------------------------

Code											
<b>B</b>	<b>S</b>	<b>B</b>	<b>0</b>	<b>1</b>	<b>A</b>	<b>0</b>	<b>1</b>	<b>O</b>	<b>A</b>	<b>0</b>	<b>1</b>

<b>Pump type BS-B</b>	Code: BSB	
<b>Number of outlet</b> 1 outlet	Code: 01	
<b>Revision</b> Stage A	Code: A	
<b>Kinds of drive</b> Flange-mounted geared motor 220-240/380-415/50Hz 0.75kW, 80 min <sup>-1</sup>	Code: 01	
<b>Position of drive</b> without	Code: O	
<b>Reservoir capacity</b> 60 liters	Code: A	
<b>Accessories</b> Level switch for reservoir 60 liter	Code: 01	

## SPECIFICATIONS

Discharge pressure adjustable up to max. : \_\_\_\_\_ 400 bar  
Discharge volume at :       80 min<sup>-1</sup> : \_\_\_\_\_ 120 cm<sup>3</sup>/min ( 7 l/h )  
  160 min<sup>-1</sup> : \_\_\_\_\_ 235 cm<sup>3</sup>/min ( 14 l/h )  
  250 min<sup>-1</sup> : \_\_\_\_\_ 365 cm<sup>3</sup>/min ( 22 l/h )  
Max. rpm geared motor version : \_\_\_\_\_ 250 min<sup>-1</sup>  
Direction of rotation of the pump : \_\_\_\_\_ clockwise or anticlockwise  
Reservoir capacity : \_\_\_\_\_ 60 or 100 l  
Operating temperature according to type : \_\_\_\_\_ - 20° C up to + 80° C  
Compatible lubricants : \_\_\_\_\_ up to NLGI-class 3 DIN 51818  
Integral strainer : \_\_\_\_\_ strainer area 40 cm<sup>2</sup>, wire mesh size 0.4 x 0.18 DIN 4189  
Integral pressure relief valve : \_\_\_\_\_ range from 0 up to 450 bar, adjusted to 400 bar

### DELIMON

#### Zentrale

Arminstraße 15  
D-40227 Düsseldorf  
Telefon: +49 211 7774 0  
Telefax: +49 211 7774 210  
kontakt@bijurdelimon.com  
www.bijurdelimon.com

### DELIMON

#### Niederlassung Beierfeld

Am Bockwald 4  
D-08344 Grünhain-Beierfeld

### DELIMON

#### Österreich

Lemböckgasse 49  
Haus 2 / Stiege E 4.OG / Top E 4-3  
A-1230 Wien  
Telefon: +43 1 585 66 17  
Telefax: +43 1 585 66 17 50  
kontakt@bijurdelimon.com  
www.bijurdelimon.com

### LUBRIMONSA

#### Spain

Avda. Txori-Erri 38  
48150 Sondica - (Vizcaya)  
Teléfono: +34 94 453 20 00  
Fax: +34 94 453 25 00  
spain@bijurdelimon.com

### DENCO Lubrication Ltd.

#### DELIMON-Cooling

#### United Kingdom

Ramsden Court, Ramsden Road  
Rotherwas Industrial Estate  
Hereford, HR2 6LR  
Phone: +44 (0) 1432 365 000  
Fax: +44 (0) 1432 365 001  
info@delimon.co.uk  
www.bijurdelimon.com

### BIJUR Products, Inc.

#### France

P.O. Box 50  
Z.I. de Courtabœuf  
9, Avenue du Québec  
91942 Courtabœuf Cedex  
Tél.: +33 1 692 985 85  
Fax: +33 1 690 776 27  
contact@bijurdelimon.com  
www.bijurdelimon.com

### BIJUR Lubricating Ireland Ltd.

Gort Road  
Ennis, County Clare  
Tel.: +35 3 65 682 1543  
Fax: +35 3 65 682 0327  
www.bijurdelimon.com

*Für reibungslose Bewegung  
For smooth motion*