

Product description
Way valve
SA-K

APPLICATION

As a hydraulic change-over valve for dual-line and single-line central lubrication systems.
The design of the 4/2-way valve ensures a permanent exchange of the lubricant in all channels of the appliance. This is to avoid operating troubles resulting from an ageing and harding of the lubricant, which are due to oil separations from the grease and to the resulting soap concentration.

PRODUCT CHARACTERISTICS

- Function 4/2-way
- Hydraulically controlled
- Working pressure adjustable up to 250 bar or up to 350 bar
- Motion indicator



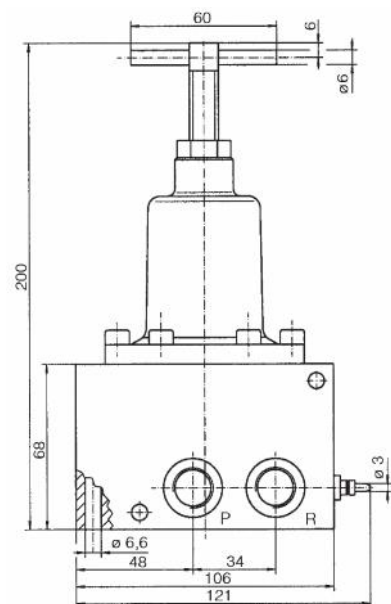
FUNCTION

Every time there is a pressure rise at the connection P, the 4/2-way valve causes an automatic changeover from one to the other of the two main delivery lines which are connected to the two connections 1 and 2, i.e. the two main delivery lines are pressurized alternately. When one main delivery line is pressurized, the other is connected to the R connection.

The change-over pressure is adjustable up to maximum of 250 and/or 350 bars by means of a pressure relief valve. It is necessary to ensure that the change-over pressure does not exceed the max. delivery pressure of the lubrication pump being used. The respective positions which the 4/2-way valve is set can be monitored by using of one limit switch or two electrical switches and enables the pump to be switched off on completion of the lubrication operation.

On single-line systems the connection 2 has to be closed by means of a plug screw. The valve then operates as a 3/2-way valve.

During the pressurizing phases there is a free passage from connection P to connection 1; during the intervals, from connection 1 to connection R.



Version with motion indicator



A. VALVE TYPE	Code
----------------------	-------------

SAK

B. WORKING PRESSURE	Code
----------------------------	-------------

250 bar
350 bar

25
35

C. REVISION	Code
--------------------	-------------

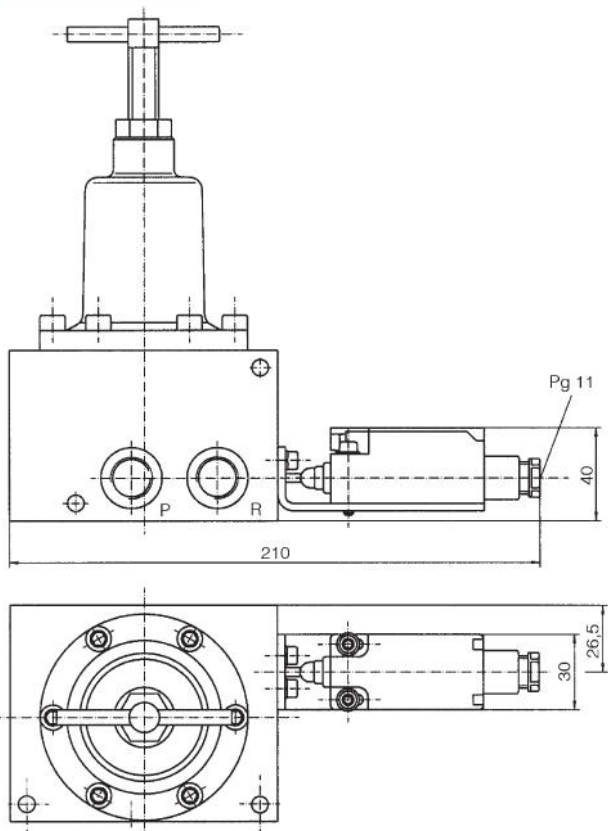
Status A

A

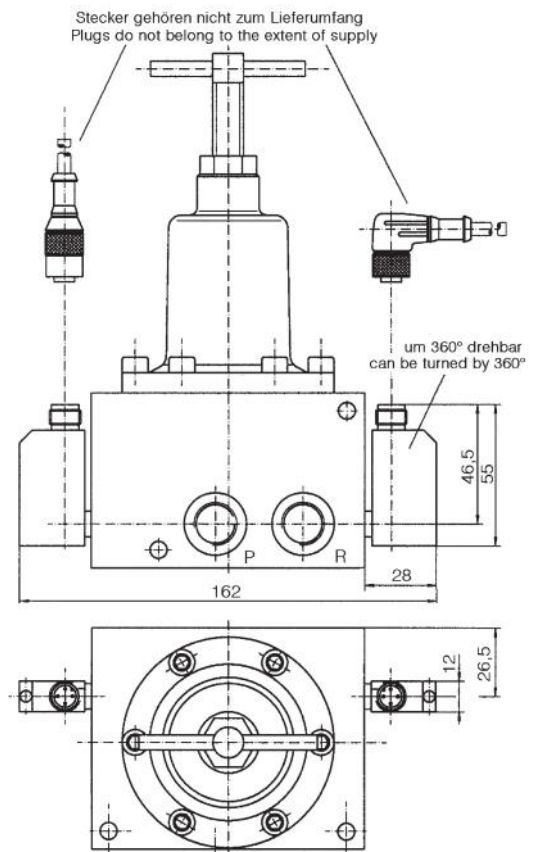
D. MONITORING	Code
----------------------	-------------

without
Limit switch
2 monitoring switches

00
01
02



Version with limit switch



with 2 monitoring switches

E. ACCESSORIES	Code
-----------------------	-------------

without

00

SPECIFICATION

4/2-way valve

Working pressure max.: _____ adjustable up to 250 bar or up to 350 bar
 Change-over pressure : _____ adjustable 20 – 250 bar or 200 – 350 bar (according to version)
 set to : _____ 150 bar or 200 bar (according to version)
 Pipe connection : _____ 3/8 BSP female thread
 Working temperature : _____ - 20° C to + 80° C
 Suitable lubricants:
 Grease _____ up to penetration NLGI class 3 DIN 51818
 Oil _____ starting with viscosity of 45 mm²s⁻¹
 Position of installation : _____ optional
 Weight : _____ 4.4 kg

Limit switch

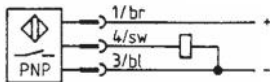
Power supply max.: _____ 240 V
 Switching current max.: _____ 10 A
 Protection system : _____ IP 65
 Switching symbol:



Monitoring switch

Operating voltage : _____ 10 ... 30 V DC
 Output current : _____ max. 200 mA
 Switching function : _____ N/C (normally open)
 Switching frequency : _____ max. 1000 Hz
 Temperature range : _____ - 25° C to + 80° C
 Feed lines:
 proof against wrong poling: _____ yes
 shortcircuit proof: _____ no
 Protection system : _____ IP 65 (in plugged condition)

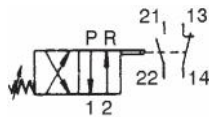
Connection diagram:



Switching symbol



SA-K with motion indicator



SA-K with limit switch



SA-K with 2 monitoring switches